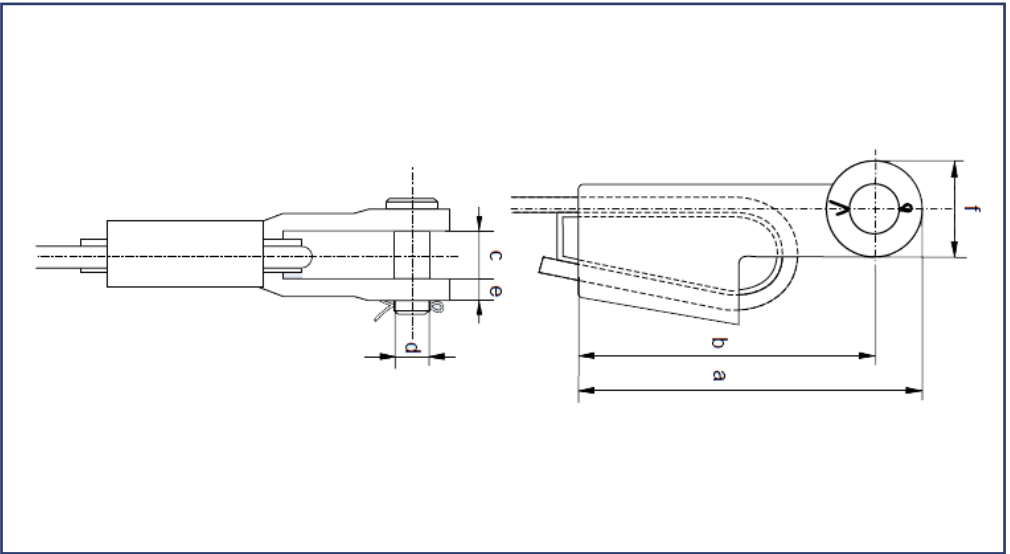


# Sockets

## Green Pin Open Socket Wedge type

Material: High tensile steel GS21Mn5  
 Safety factor: MBL equals 5 x SWL  
 Finish: Painted green or hot dipped galvanised  
 Certification: a works certificate and a proof load test certificate can be supplied upon request



Number	Working Load Limit tons	Diameter Wire Rope mm	Length a mm	Length to centre Pin b mm	Width Inside c mm	Diameter Pin d mm	Thickness Side Plates e mm	Diameter eye f mm	Weight each kg
0.25	1.25	7 - 8	129	110	18	16	9	36	0.8
0.5	2	9 - 10	165	142	20	20	11	46	1.7
1	3.2	11 - 13	174	146	25	25	12	57	2.1
2	5	14 - 16	211	176	31	30	15	70	4.0
3	6.3	18 - 19	252	212	38	35	16	80	7.0
4	8	20 - 22	288	240	44	41	19	95	10.0
5	12.6	24 - 26	329	274	51	51	22	110	15.0
6	16	27 - 29	375	310	57	57	25	130	21.0
7	20	30 - 32	423	350	63	64	28	146	31.0
8	20	34 - 36	474	400	69	64	28	148	37.0
9	25	37 - 39	527	450	76	70	30	153	51.0
10	32	40 - 42	580	500	76	76	33	160	64.0
11	40	43 - 48	643	550	89	89	39	186	96.0
12	50	49 - 52	737	640	101	95	46	194	130.0
13	64	54 - 58	775	660	114	108	54	230	180.0
14	80	60 - 68	960	835	127	121	60	250	275.0
15	90	72 - 76	1130	1000	146	133	76	270	440.0
16	100	81 - 86	1250	1100	159	140	79	300	510.0