

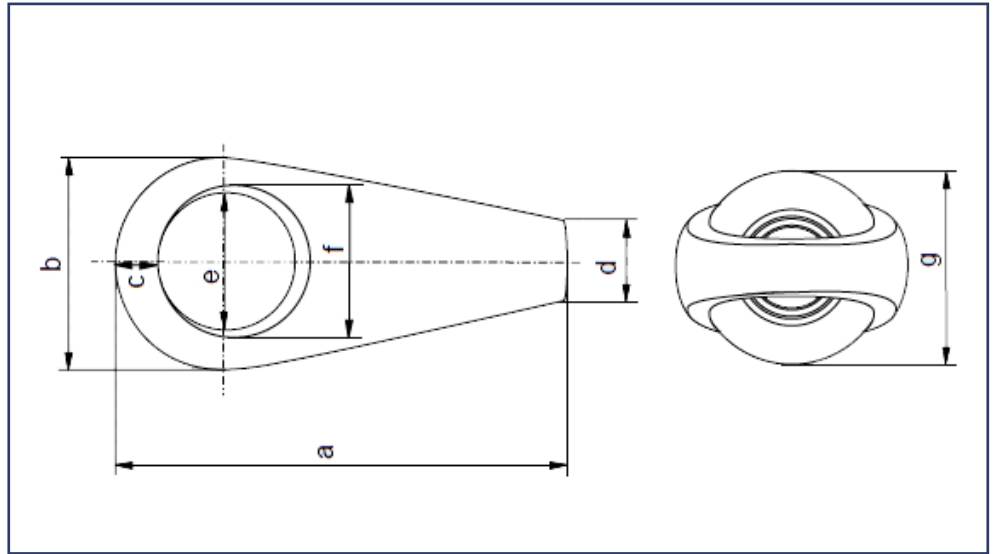
Sockets

Gold Nose Closed Socket Spelter type

Material: Drop forged alloy steel SCM 435

Finish: Galvanised

Certification: a works certificate and a proof load test certificate can be supplied upon request



Diameter Wire	Length	Width	Thickness Bow	Width	Length Eye	Width Eye	Thickness	Weight each
	a mm	b mm	c mm	d mm	e mm	f mm	g mm	kg
1 1/4 - 1 3/8	246	122	38	48	83	76	97	18.0
1 1/2 - 1 5/8	305	152	40	57	104	92	123	22.0
1 3/4 - 1 7/8	356	178	47	66	121	112	140	28.0
2 - 2 1/8	391	202	53	76	133	121	158	32.0
2 1/4 - 2 3/8	438	221	61	80	146	133	184	44.0
2 1/2 - 2 5/8	457	264	68	96	165	149	217	56.0
2 3/4 - 2 7/8	540	273	74	105	178	163	222	68.0
3 - 3 1/8	584	295	76	115	194	174	243	100.0
3 1/4 - 3 3/8	626	319	82	121	216	194	260	120.0
3 1/2 - 3 5/8	670	340	92	127	219	202	270	145.0
3 3/4 - 3 7/8	698	356	98	133	235	214	290	190.0
4 - 4 1/4	803	412	112	152	270	242	318	250.0