

Sockets

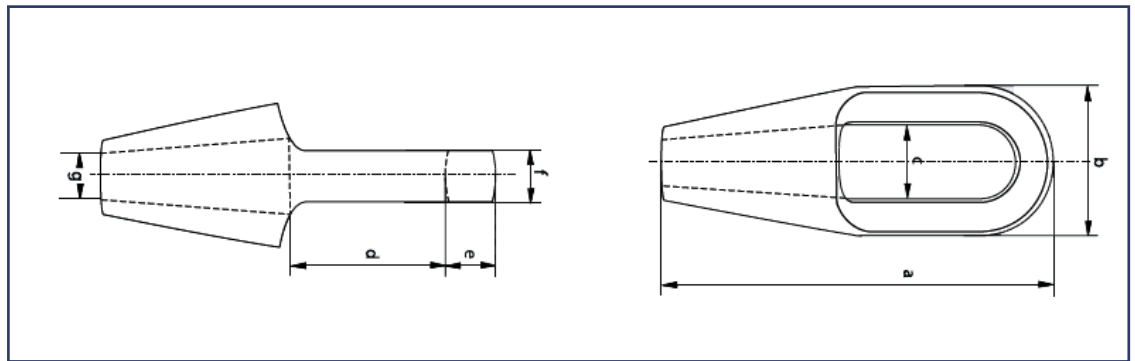
Green Pin Closed Socket Spelter type

Material: High tensile steel GS21Mn5

Safety factor: MBL equals 5 x SWL

Finish: Painted green or hot dipped galvanised

Certification: a works certificate and a proof load test certificate can be supplied upon request



Number	Working Load Limit tons	Diameter Wire Rope mm	Length	Width	Width Inside Bow	Length Inside Bow	Thickness Bow	Thickness Bow	Opening	Weight each kg
			a mm	b mm	c mm	d mm	e mm	f mm	g mm	
298	4	11 - 13	140	51	30	59	17.5	22.5	14	0.7
299	5	14 - 16	162	67	36	65	21	26	17.5	1.3
200	8	18 - 19	194	76	42	78	27	32	21	2.1
201	10	20 - 22	224	92	47	90	33	38	24	3.6
204	12.6	23 - 26	253	104	57	103	36	44	28	5.3
207	16	27 - 30	282	114	63	116	39	51	32	7.0
212	20	31 - 36	312	127	70	130	43	57	38	9.7
215	25	37 - 39	358	136	79	155	51	63	41	13.0
217	32	40 - 42	390	146	83	171	54	70	44	17.0
219	40	43 - 48	443	171	93	198	55	76	51	26.0
222	50	49 - 54	502	193	100	224	62	82	57	37.5
224	64	55 - 60	548	216	112	247	73	92	63	50.0
226	80	61 - 68	597	241	140	270	79	102	73	65.0
227	90	69 - 75	644	273	159	286	79	124	79	94.0
228	100	76 - 80	686	292	171	298	83	133	86	110.0
229	120	81 - 86	743	311	184	311	102	146	92	145.0
230	140	87 - 93	788	330	197	330	102	159	99	168.0
231	160	94 - 102	845	362	216	356	108	178	108	210.0
233	200	108 - 115	1000	405	235	425	125	190	125	330.0
240	240	120 - 130	1110	515	260	475	135	210	138	550.0