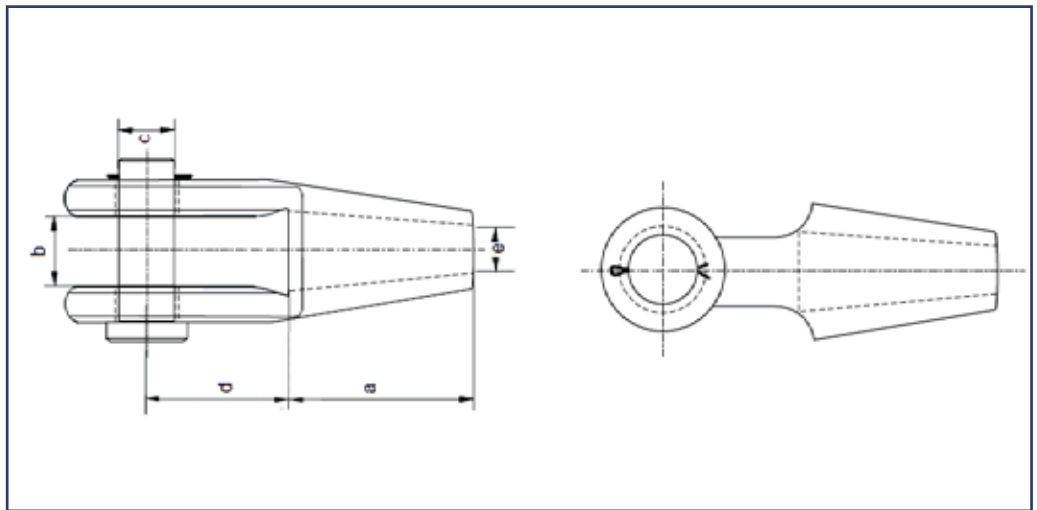
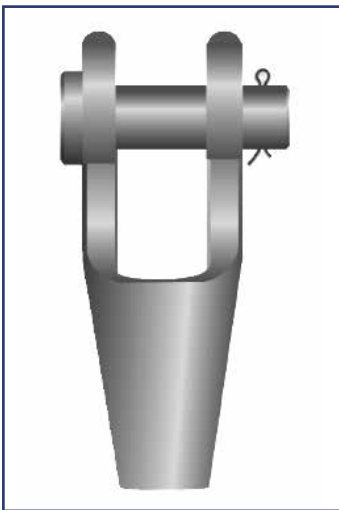


Sockets

Open Type British Standard

Material: Body and pin high tensile steel
 Standard: B.S. 463 -1958 - part 1
 Safety factor: MBL equals 5 x SWL
 Finish: self colour or hot dipped galvanised

Certification: as standard a works proof load certificate is supplied
 Tolerances: as specified in BS 463 incorporating drop forged allowances as detailed in BS1718
 Special Note: dimension b size shown can only be achieved if the basket is machined, for tolerances please consult our technical department



Safe Working Load	Diameter Wire Rope	Length Basket	Width Inside	Diameter Pin	Length Inside to Pin Centre	Opening	Weight each
tons	mm	a mm	b mm	c mm	d mm	e mm	kgs
0.50	6	43	16	13	32	8	0.34
0.75	8	43	16	10	32	10	0.34
1.00	10	51	22	16	43	12	0.57
1.25	11	51	22	16	43	13	0.57
2.00	13	60	29	21	52	15	0.80
2.25	14	60	29	21	52	17	0.80
3.00	16	70	32	24	64	18	1.14
4.25	19	76	38	29	67	21	1.93
5.50	22	86	43	32	76	25	2.73
7.50	25	105	48	38	89	29	4.77
9.50	29	114	51	41	102	32	6.82
11.50	32	133	54	48	111	35	10.00
14.00	35	152	65	57	114	40	15.23
16.50	38	152	65	57	114	43	15.23
19.00	41	152	65	57	114	46	15.23
25.00	51	195	79	70	165	56	45.45*
38.00	57	229	95	89	191	64	72.72*

Sizes marked * are additional and proportional to the specification