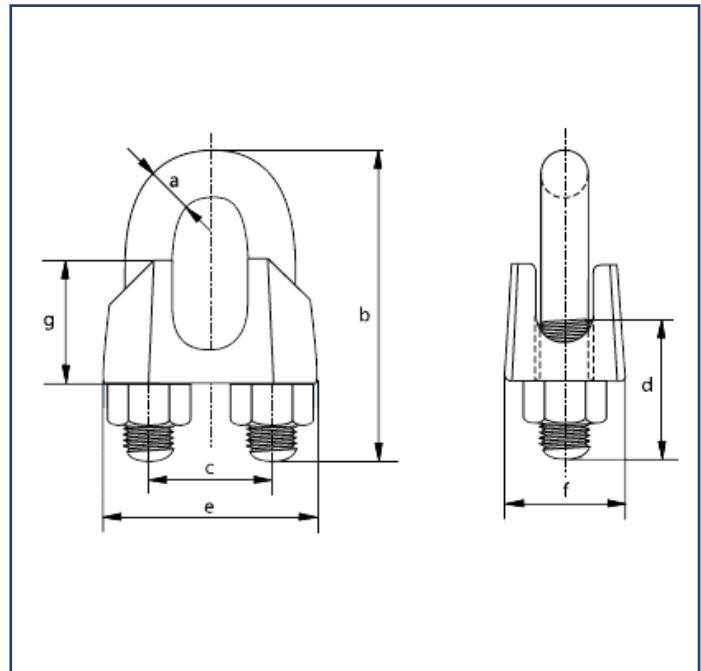


# Stainless Steel Wire Rope Grips

**Material** :Bridge - stainless steel AISI 316  
 :Nuts - stainless steel AISI 316  
 :U-bolt - stainless steel AISI 316  
**Finish** :polished



Diameter Wire Rope (mm)	Diameter Bow a (mm)	Diameter Bow b (mm)	Width Inside c (mm)	Length Thread d (mm)	Length Base e (mm)	Thickness Base f (mm)	Height Base g (mm)	Weight per 100 pcs (kg)
2	3	17	8	10	17	10	10	0.9
3	4	20	9	12	21	10	10	1.0
4	4	23	10	13	21	11	11	1.3
5	5	24	11	13	23	11	10	1.5
6	5	28	13	15	26	12	11	2.1
8	6	34	16	19	30	14	15	4.1
10	8	42	19	22	34	18	17	6.8
13	10	55	24	30	42	23	21	13.0
16	12	63	29	33	50	26	26	21.0
19	12	75	32	38	54	29	30	28.0
22	14	85	37	44	61	33	34	40.0
24	14	95	41	45	65	35	37	42.0