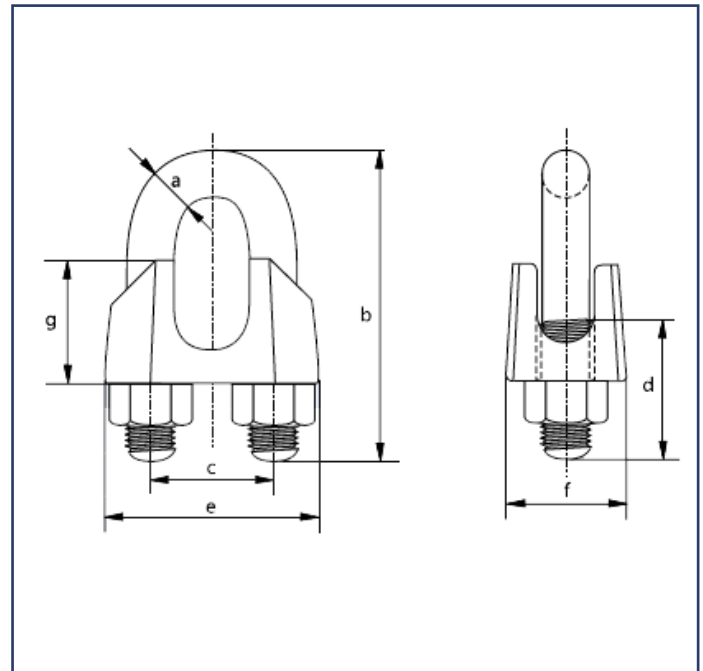


Heavy Duty Wire Rope Grips

Material	:Bridge - malleable steel casting	:U-bolt - mild steel
Standard	:EN 13411-5 Type A (formerly DIN 1142)	
Finish	:electro-galvanised	
Certification	:a work certificate can be supplied on request	



Diameter Wire Rope (mm)	Diameter Bow a (mm)	Diameter Bow b (mm)	Width Inside c (mm)	Length Thread d (mm)	Length Base e (mm)	Thickness Base f (mm)	Height Base g (mm)	Weight per 100 pcs (kg)
5	4	25	12	14	25	13	13	2
6.5	5	32	14	17	30	16	14	4
8	7	41	18	20	39	20	18	8.2
10	7	46	20	24	40	20	21	9.2
12	10	56	24	28	50	25	24	21.5
13	11	64	29	29	55	28	29	27.5
14	12	66	28	31	59	30	28	39.5
16	12	76	34	35	64	32	35	43
19	12	83	37	36	68	33	40	49
22	14	96	41	40	74	34	44	68
26	18	111	46	50	84	38	51	117
30	18	127	54	55	95	41	59	140
34	22	141	60	60	105	45	67	213
40	24	159	68	65	117	49	77	268