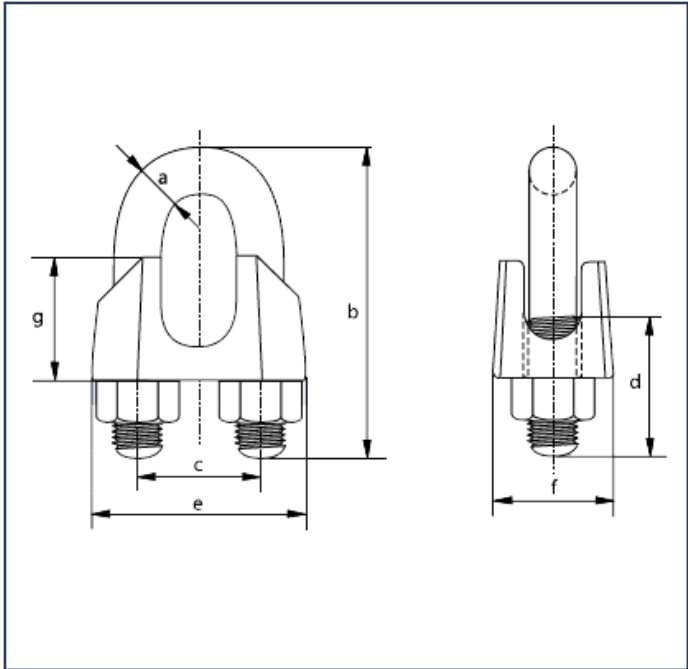


# Commercial Wire Rope Grips

**Material** : Bridge - malleable steel casting : U-bolt - mild steel  
**Standard** : DIN 741  
**Finish** : electro-galvanised  
**Certification** : a work certificate can be supplied on request



Diameter Wire Rope (mm)	Diameter Bow a (mm)	Diameter Bow b (mm)	Width Inside c (mm)	Length Thread d (mm)	Length Base e (mm)	Thickness Base f (mm)	Height Base g (mm)	Weight per 100 pcs (kg)
3	4	20	9	12	21	10	10	1.4
5	5	24	11	13	23	11	10	1.5
6	5	28	13	15	26	12	11	2.1
8	6	34	16	19	30	14	15	4.1
10	8	42	19	22	34	18	17	6.8
11	8	44	20	22	36	19	18	7.2
13	10	55	24	30	42	23	21	13.0
14	10	57	25	30	44	23	22	13.5
16	12	63	29	33	50	26	26	21.0
19	12	75	32	38	54	29	30	28.0
22	14	85	37	44	61	33	34	40.0
26	14	95	41	45	65	35	37	44.0
30	16	110	48	50	74	37	43	66.0
34	16	120	52	55	80	42	50	85.0
40	16	140	58	60	88	45	55	104.0