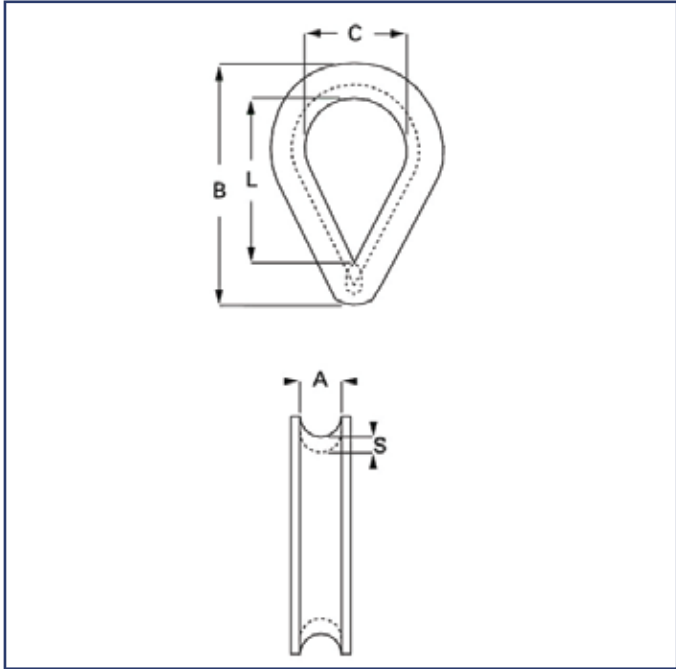


BS464/EN 13411-1 Wire Rope Thimbles



Rope Diameter (mm)	A (mm)	B (mm)	L (mm)	C (mm)	S (mm)	Weight (kgs/100)
6	7	45	26	18	4	4.1
8	8	54	33	22	4	6.5
10	10	64	38	25	4.8	9.5
12	14	80	44	32	5.6	13.0
16	16	98	59	41	7.9	30.0
19	21	124	73	51	9.5	51.5
22	22	133	83	57	9.5	69.0
25	27	162	108	70	10.3	99.5
28	29	178	111	76	12.7	129.0
31	33	197	133	95	12.7	145.0
35	38	229	152	105	15.9	238.0
38	41	254	165	114	17.5	340.0
41	43	254	165	114	17.5	499.0
44	51	286	178	127	25.4	532.0
52	64	330	203	140	28.6	695.0