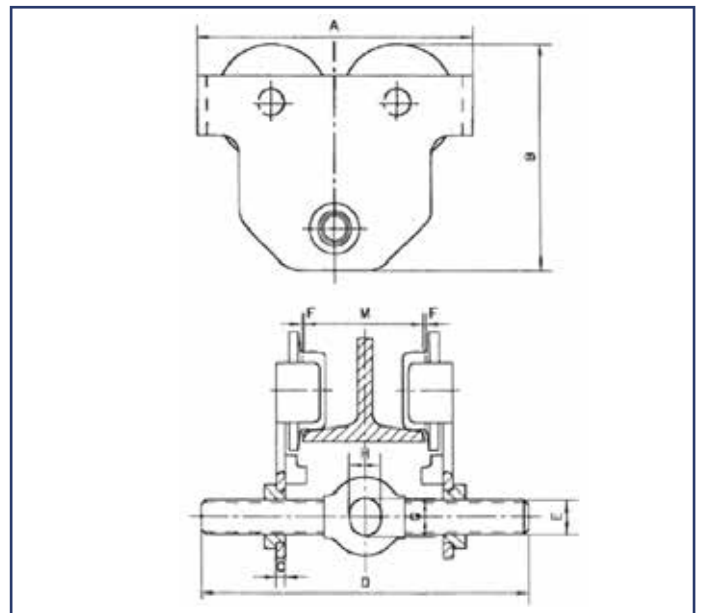


Heavy Duty Push Travel Trolley

Drop forged screw type adjuster enables safe and speedy adjustment.
 Lightweight rugged construction.
 High grade steel sealed ball bearings for precise and smooth rolling.
 For use with hand and electric hoists.
 All trolleys are designed for use with same capacity Chain Blocks.
 Side plates are produced with trolley wheel guards for additional safety.
 Larger sizes available upon request.



Capacity (kgs)	Beam Width (mm)	A (mm)	B (mm)	C (mm)	Weight (kgs)
500	50-220	285	198	158	5
1000	58-220	285	238	183	8.7
2000	66-220	300	277	208	13.9
3000	74-220	321	324	249	23.5
5000	90-220	354	373	296.5	40