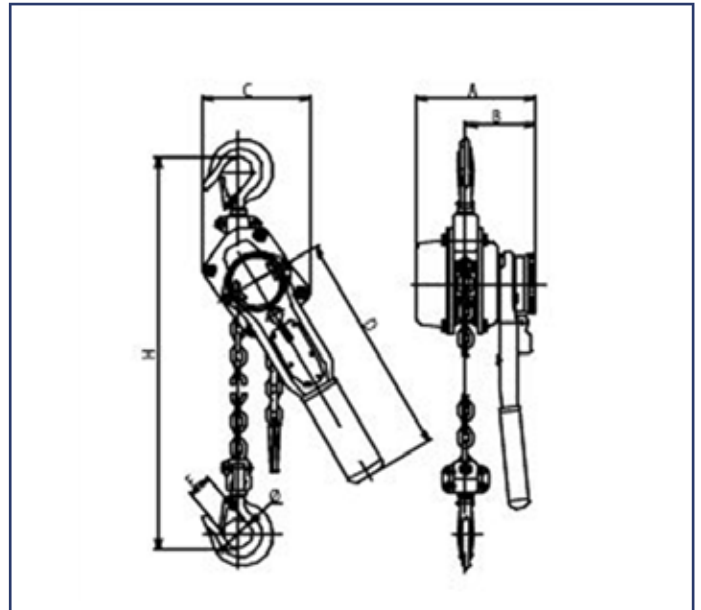


Heavy Duty Lever Hoist

High grade steel body protects gears and brake system.
 Easy to use free wheel mechanism that enables chain to be pulled freely when not under load.
 The load chain is hardened grade 80 alloy steel and electro black painted.
 Top and bottom hooks fitted with pressed steel catches.



Capacity (kgs)	A (mm)	B (mm)	C (mm)	E (mm)	A- (mm)	D (mm)	H (mm)	Load Chain Dia (mm)	Weight kgs	No. of Falls	Effort Req to Lift Max Load (N)
750	148	90	136	27	40	280	320	6	7	1	140
1500	172	98	160	34	44	410	380	7.1	10	1	220
3000	200	115	180	38	50	410	480	10	17.5	1	320
6000	200	115	235	48	64	410	600	10	28.5	2	340
9000	200	115	330	57	85	410	700	10	45	3	360