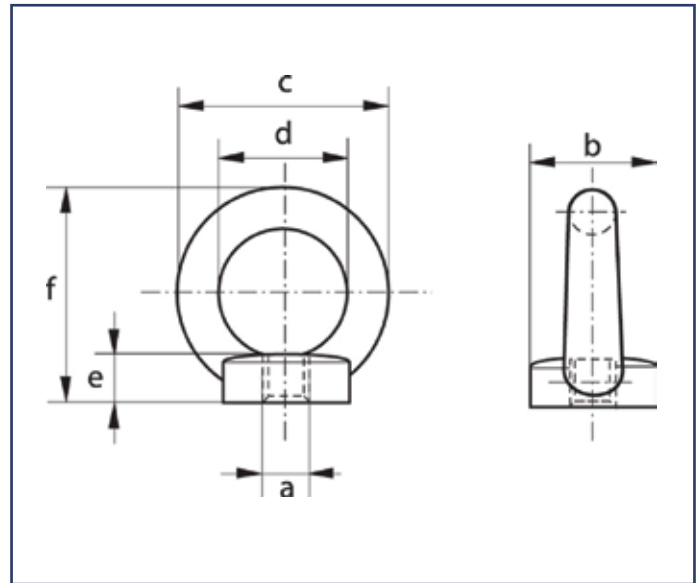


Eyebolts meet the performance requirements of DIN 582

Material: Carbon Steel C15.
 Minimum breaking load 4 x W.L.L.
 Generally to Din 582.

Self coloured and electro galvanised finish.
 Tested and certified



W.L.L. (tonnes)	a (mm)	b (mm)	c (mm)	d (mm)	e (mm)	f (mm)	Weight (kgs/100)
0.07	M 6	20	36	20	8.5	36	4.2
0.14	M 8	20	36	20	8.5	36	5.2
0.23	M 10	25	45	25	10	45	9.4
0.34	M 12	30	54	30	11	53	16
0.49	M 14	35	63	35	13	60	22
0.7	M 16	35	63	35	13	62	24
1.2	M 20	40	72	40	16	71	35.2
1.5	M 22	45	81	45	18	80	58.6
1.8	M 24	50	90	50	20	90	70.6
2.5	M 27	50	90	50	20	90	102
3.2	M 30	65	108	60	25	109	132
4.3	M 33	65	108	60	25	110	170
4.6	M 36	75	126	70	30	128	208
6.1	M 39	75	126	70	30	130	260
6.3	M 42	85	144	80	35	147	311
8	M 45	85	144	80	35	150	407
8.6	M 48	100	166	90	40	168	502
11.5	M 56	110	184	100	45	187	669
16	M 64	120	206	110	50	208	930