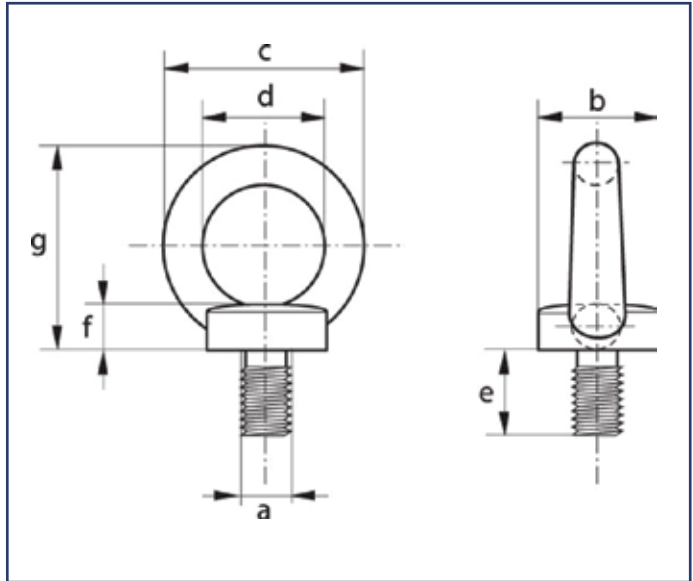


Eyebolts meet the performance requirements of DIN 580

Material: Carbon Steel C15.
 Minimum breaking load 4 x W.L.L.
 Generally to Din 580.

Self coloured and electro galvanised finish.
 Tested and certified



W.L.L. (tonnes)	a (mm)	b (mm)	c (mm)	d (mm)	e (mm)	f (mm)	g (mm)	Weight (kgs/100)
0.07	M 6	20	36	20	13	6	36	3
0.14	M 8	20	36	20	13	6	36	6
0.23	M 10	25	45	25	17	8	45	10.3
0.34	M 12	30	54	30	20.5	10	53	17.7
0.49	M 14	35	63	35	27	12	60	27.7
0.7	M 16	35	63	35	27	12	62	28
0.9	M 18	40	72	40	30	14	71	40.5
1.2	M 20	40	72	40	30	14	71	42.4
1.5	M 22	45	81	45	35	14	80	67.3
1.8	M 24	50	90	50	36	18	90	83.4
2.5	M 27	50	90	50	36	18	90	122
3.2	M 30	65	108	60	45	22	109	166
4.3	M 33	65	108	60	45	22	110	216
4.6	M 36	75	126	70	54	26	128	265
6.1	M 39	75	126	70	54	26	130	334
6.3	M 42	85	144	80	63	30	147	403
8	M 45	85	144	80	63	35	150	521
8.6	M 48	100	166	90	68	35	168	632
11.5	M 56	110	184	100	78	38	187	880
16	M 64	120	206	110	90	42	208	1240