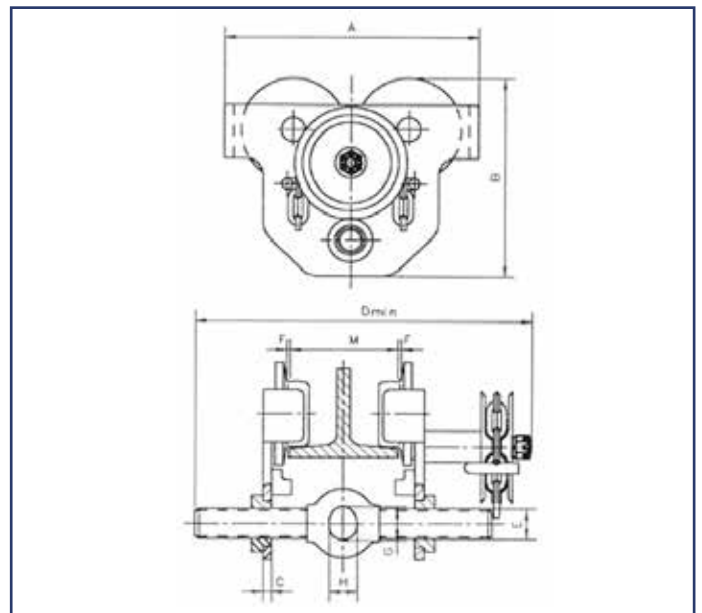


Heavy Duty Geared Travel Trolley

Drop forged screw type adjuster enables safe and speedy adjustment.
 Lightweight rugged construction.
 High grade steel sealed ball bearings for precise and smooth rolling.
 For use with hand and electric hoists.
 All trolleys are designed for use with same capacity Chain Blocks.
 Side plates are produced with trolley wheel guards for additional safety.
 Larger sizes available upon request.



| Capacity (kgs) | Beam Width (mm) | A (mm) | B (mm) | C (mm) | Weight (kgs) |
|----------------|-----------------|--------|--------|--------|--------------|
| 500 | 50-220 | 352.5 | 198 | 158 | 9 |
| 1000 | 58-220 | 353.5 | 238 | 183 | 12.6 |
| 2000 | 66-220 | 362 | 277 | 208 | 18.5 |
| 3000 | 74-220 | 406.5 | 324 | 249 | 28 |
| 5000 | 90-220 | 343.5 | 373 | 296.5 | 45 |