

## Heavy Duty Chainblocks

Each hoist is made with high performance materials.

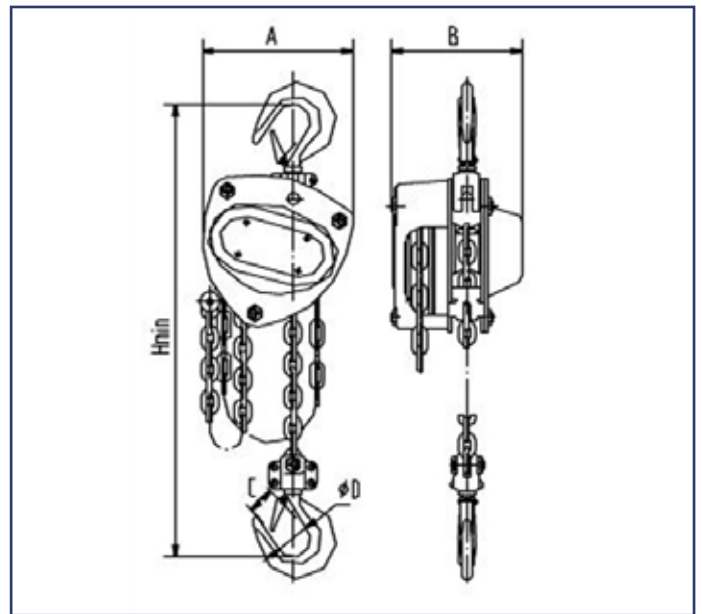
Black painted calibrated load chain.

Electro galvanised calibrated hand chain.

Top and bottom hooks fitted with pressed steel catches.

Available in a variety of heights of lift.

For heights of lift above 12 mtrs please consult George Taylor & Co for technical advice and product guidance.



Capacity (kgs)	A (mm)	B (mm)	C (mm)	H (mm)	Effort Req to Lift Max Load (N)	Load Chain Dia (mm)	No. of Falls	Weight (kgs)
500	136	115	25	270	231	5	1	7
1000	156	143	27	317	309	6	1	10.5
1500	182	148	34	399	320	7.1	1	17
2000	198	152	36	414	320	8	1	18
3000	182	148	38	465	360	7.1	2	22
5000	266	181	48	636	414	9	2	40
10000	365	181	57	798	420	10	4	70
20000	630	192	84	890	420 x 2	10	8	162