

## Dynamo Eyebolts Metric Thread

Material: Carbon Steel C45

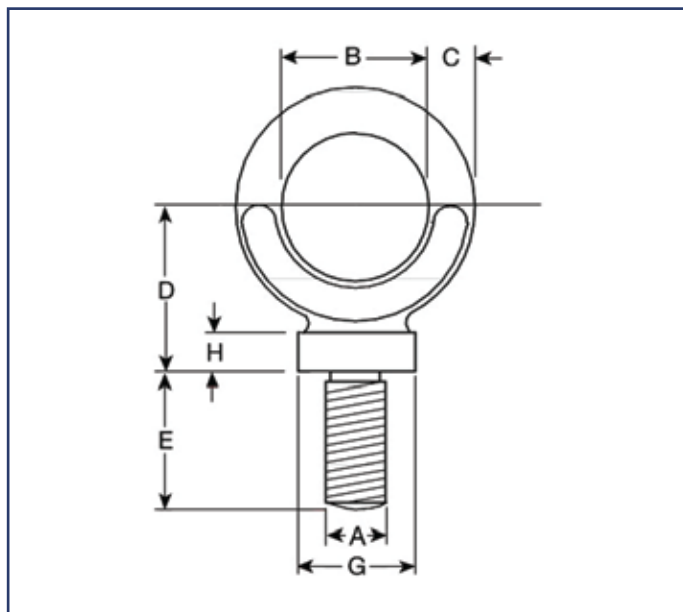
Self colour finish.

Electro galvanised finish available on request.

Tested and certified.

To be used for vertical lifting only.

Heat treated.



W.L.L. (tonnes)	A (mm)	B (mm)	C (mm)	D (mm)	E (mm)	G (mm)	H (mm)	Weight (kgs/each)
0.10	6	22	9	27	18	17	5	0.07
0.15	8	22	9	27	18.5	17	5	0.07
0.25	10	22	9	27	18.5	17	5	0.07
0.32	12	22	9	27	18.5	17	5	0.07
0.63	16	29	11	34	23.5	23	6	0.14
1.25	20	40	15	47	33	32	9	0.40
2.00	24	51	19	60	41	40	12	0.80
3.20	30	64	24	76	51	51	14	1.72