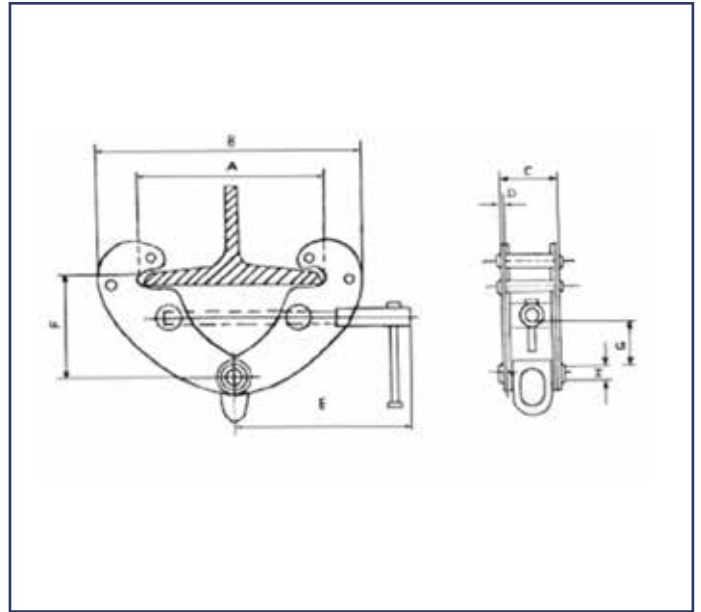


Beam Clamp

Easy and simple mounting.
 Adjustable to fit a wide range of flange widths and beams.
 Heavy duty construction allows safe and secure grip in the beam.
 Special jaw design applies the load away from the flange edge, thus reducing flange stress.
 Individually tested and certified.



Capacity (kgs)	Adj. Beam Width (mm)	A max (mm)	B min (mm)	B max (mm)	C (mm)	D (mm)	E (mm)	F min (mm)	F max (mm)	G min (mm)	Weight (kgs)
1000	75-220	295	185	400	80	4	225	90	165	25	3.8
2000	75-220	295	185	400	85	6	225	90	165	25	5
3000	80-320	365	240	520	117	8	258	135	225	45	9
5000	80-320	365	240	520	125	10	258	135	225	45	11
10000	90-320	365	255	520	158	12	280	160	230	50	16